

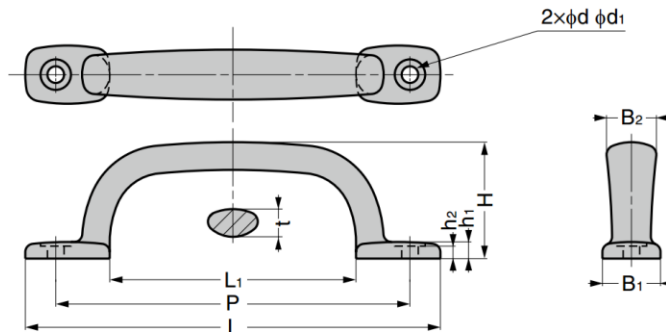
G2LC Stainless Steel 316 / Titanium Handle

Features

- Easy to grab
- 2 types of materials available: lightweight and strong titanium with excellent corrosion resistance, or cast steel SCS14 equivalent to stainless steel SUS316
- Titanium handle hardly causes metal allergy. In addition, it is non-magnetic, and is suitable for medical devices such as MRI

Notes

- Screws are not included for titanium handles, titanium screws are sold separately.
- Stainless steel pan head tapping screw included for stainless steel handle



Part No.	Material	Finish	L	L ₁	P	B ₁	B ₂	H	h ₁	h ₂	t	d	d ₁
G2LC-80TI	Titanium	Shot Blast	80	32	64	16	14	35	5.5	4	8	5	9.5
G2LC-120TI			120	64	96	18	16	36		4.5	9		
G2LC-150TI			150	89	128	21	18	42	6	10	6	11	
G2LC-80	Stainless Steel 316	Polished	80	32	64	16	14	35	5.5	4	8	5	9.5
G2LC-120			120	64	96	18	16	36		4.5	9		
G2LC-150			150	89	128	21	18	42	6	10	6	11	
G2LC-180			180	118	160	23	20	45	6.5	5			

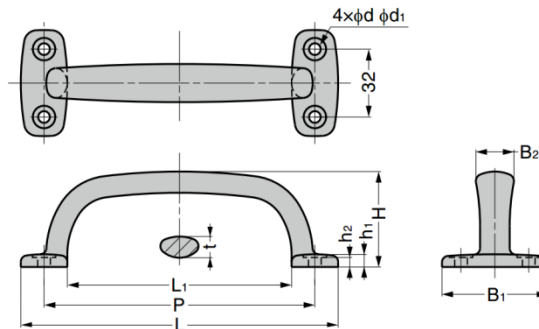
G4LC Stainless Steel 316 Handle

Notes

- Titanium option available on request
- Recommended screws not included

Parts Included

- G4LC-82, G4LC-114: Pan head tapping screw (SUS) 4×20
- G4LC-150, G4LC-180: Pan head tapping screw (SUS) 5×30



Part No.	Material	Finish	L	L ₁	P	B ₁	B ₂	H	h ₁	h ₂	t	d	d ₁
G4LC-82	Stainless Steel 316	Polished	82	46	64	48	16	36.5	5.5	4	8	5	9.5
G4LC-114			114	78	96			40		6	4.5		
G4LC-150			150	106	128	50	18	45	6.5	5	10	6	11
G4LC-180			180	140	160								